

# Head-mounted temperature transmitter type GI-22-2, GIX-22-2



- ✓ Galvanic insulation (In, out)
- ✓ Programmable sensor type
- ✓ Programmable measuring range
- ✓ Thermoresistance line compensation (3 and wires line)
- ✓ Compensation of thermocouple cold junction
- ✓ Output signal 4...20mA
- ✓ Head-mounting system
- ✓ Certificate ATEX II 1G Exia IIC T6 ( GIX-22-2 version).

## Application and function

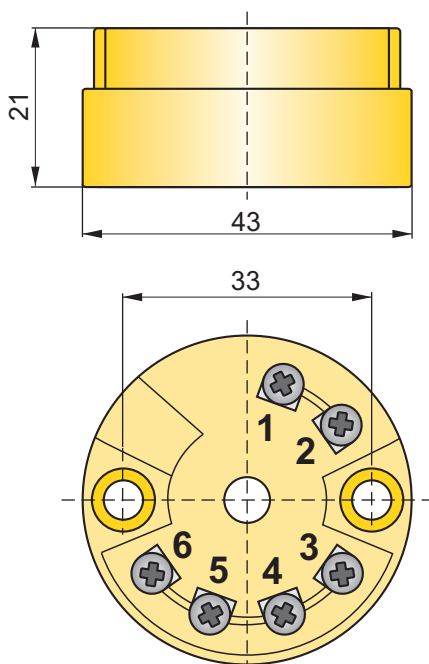
The temperature transmitters are applicable to converting resistance of temperature or voltage of thermocouple sensor to standard current signal 4...20mA.

Most of parameters such as: sensor type, input signal, measuring range, may be adapted by user for specific requirements of his measuring system.

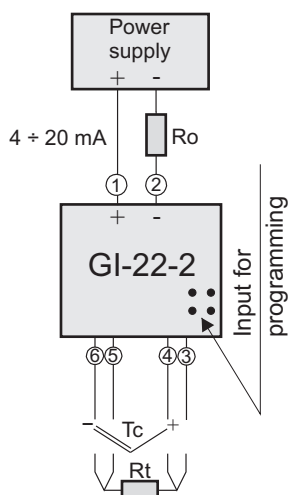
The transmitter is programmed using PC with RS converter and Aplisens AT configuration software.

If user define type of sensor, measuring range in the order, then the transmitter are programmed with required parameters and their values are printed on serial number label.

Transmitter for head mounting.



## Electrical diagrams



## Technical data

Input signal	J, L, U, T, E, K, N, S, R, B, Pt, Ni
Min. measuring range	10°C for Pt, Ni 50°C for J, L, U, T, E, K, N 500°C for S, R, B
Output signal	4 – 20mA
Power supply	8...35V DC 8-30V DC for GIX-22-2
Load resistance	$R_0[k\Omega] < (U_z - 11V)/25mA$
Alarm signal	22mA or 3,6 mA
Galvanic insulation	Optoelectrical
Accuracy	

PT100: -100÷200°C	±0,2°C	J: -210÷1200°C	±0,5°C over -150°C
PT100: -200÷850°C	±0,4°C	L: -200÷900°C	±0,5°C
PT500: -100÷200°C	±0,2°C	U: -200÷600°C	±0,5°C
PT100: -200÷250°C	±0,4°C	T: -270÷400°C	±0,5°C over -200°C
PT1000: -100÷200°C	±0,2°C	E: -270÷1000°C	±0,5°C over -150°C
PT1000: -100÷250°C	±0,4°C	K: -270÷1372°C	±0,5°C over -140°C
Ni100: -60÷250°C	±0,2°C	N: -270÷1300°C	±1°C over -100°C
		S: -50÷1768°C	±2°C over +20°C
		R: -50÷1768°C	±2°C over +50°C
		B: 0÷1820°C	±2°C over +400°C

Thermal error	±0,05 %/10°C
Voltage error	±0,01%/V
Ambient temperature	-40...+85°C

## Ordering procedure

GIX-22-2 / \_\_\_ / \_\_\_ ÷ \_\_\_ °C / \_\_\_

GI-22-2 / \_\_\_ / \_\_\_ ÷ \_\_\_ °C / \_\_\_

Sensor type

Measuring range

alarm signal:  
22mA or 3,6mA